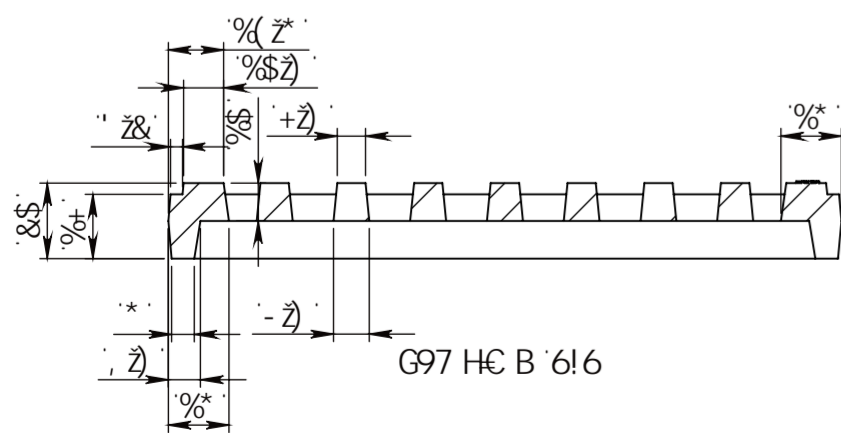
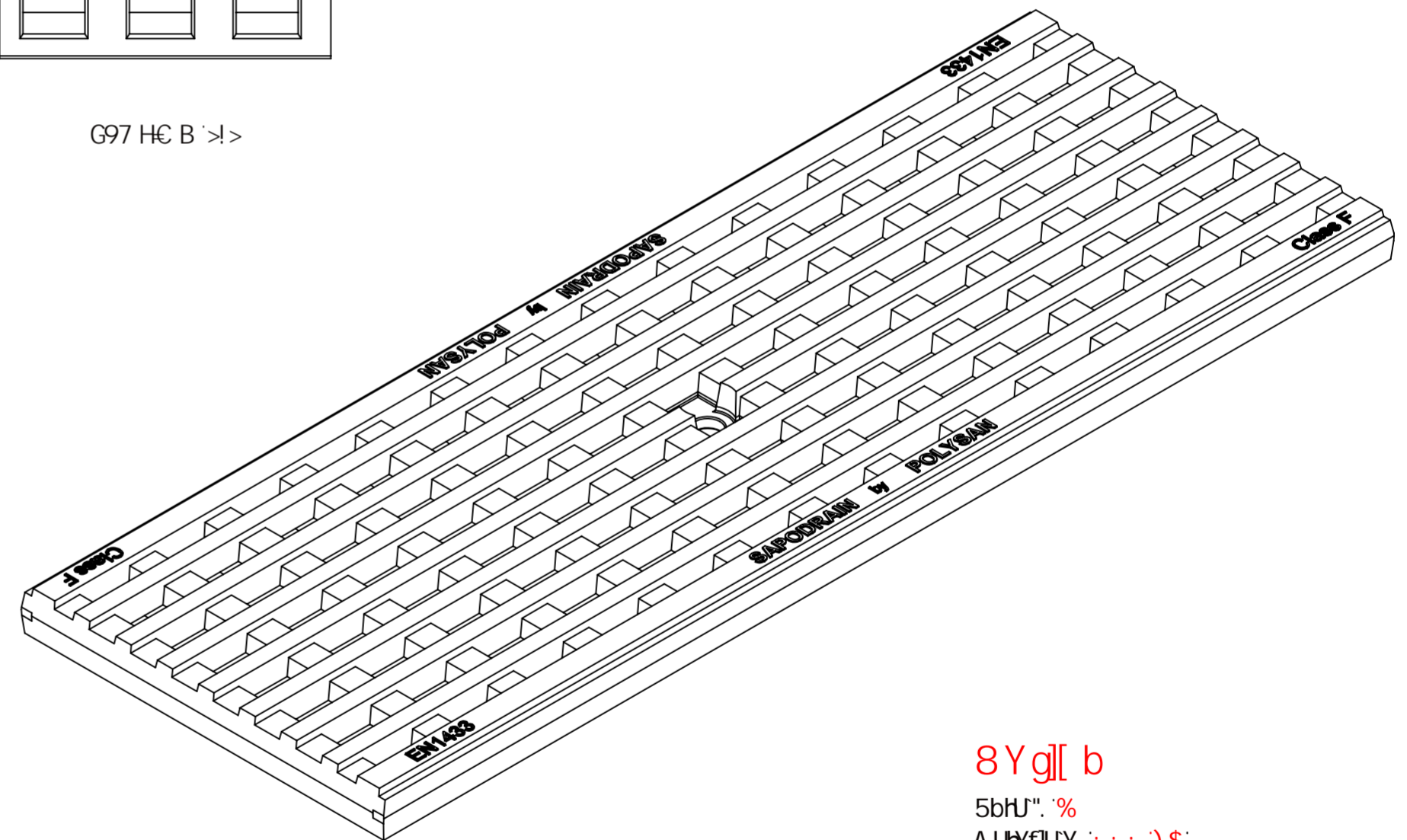
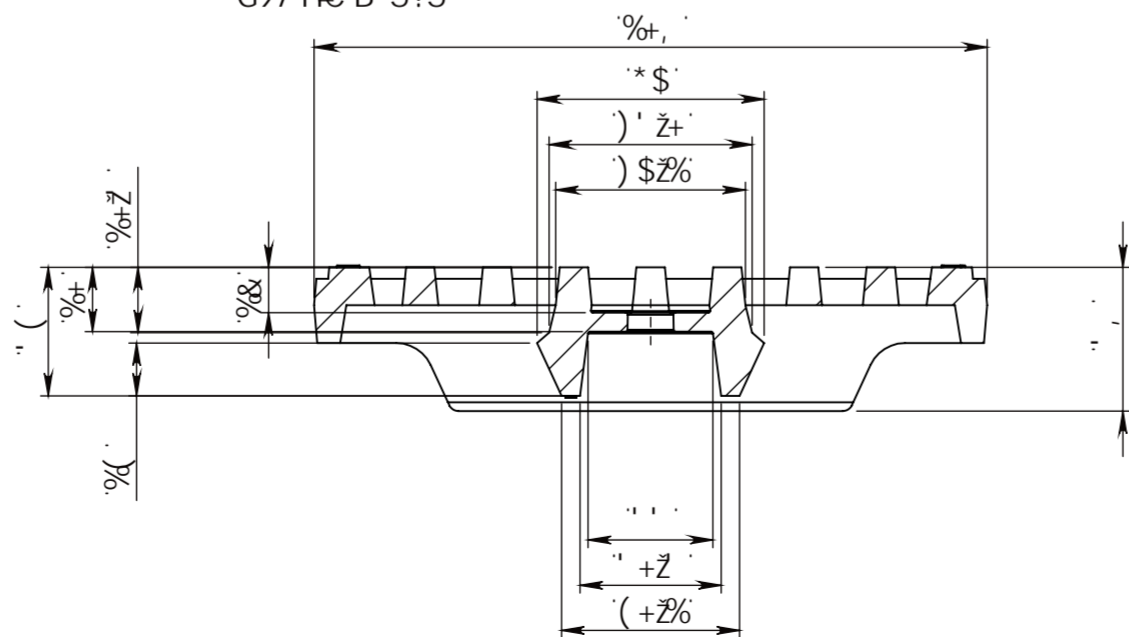


G97 HC B >I>



G97 HC B 6I6



G97 HC B 7I7

8Ygll b  
 5bHU". %  
 A UHyf]UY. ; ; ; ) \$'  
 Cj YfZUXVY Ubx] b[ . ''  
 5"Y'g\_UfdY' \_UbHyf' VfmXYg

HY[ b]b[ gBF" #FYj] g]cb.  
 % & \$\$\$&! \$%\$ \$\*'  
 CXY' BP' .  
 : fYa g] b[ ] Gb WYg  
 ?ca dcbYb] ° [ h' ; .'

6Vg\_l] Ygr. Gb VY'Yfbg] g]z' +) '\$.  
 5%  
 HY[b]yUZ  
 X" % " bcj Ya VYf &S%  
 7CDMF = <H 896B9H9 B-B:  
 A1 =2797CD9F 9C 989F  
 F 9DF CBI 79F 9GD' BC 9B A L 89  
 I 89B 8-F 97H9H=859G9' F5  
 DC=65B 5fG

G\_LUU  
 % &  
 DUDJf  
 5 &  
 GJXY %UZ%



F 9J -G-CB9F			
F 9J "	8 Utc	BUJ b	B cHY'

bXl g] Y' %  
 87) ) \* & 6rcVm  
 Hb . : : Z ) \* \* \* % & %  
 : SL : : Z ) \* \* \* % & %

[ ] g] HY[ b] b[ . L. FDXcXl \_j] b] p758P8& F YbXY Zfa YP& & S5' 8I 5' 8 S' : Ya hX' - " XYWa VYf & S% ( '9 ) % . ' ' LZ < Yb] .  
 [ ] g] DUh L. FDXcXl \_j] b] p758P8& F YbXY Zfa YP& & S5' 8I 5' 8 S' : Ya hX' - " XYWa VYf & S% ( '9 ) % . ' ' LZ < Yb] .