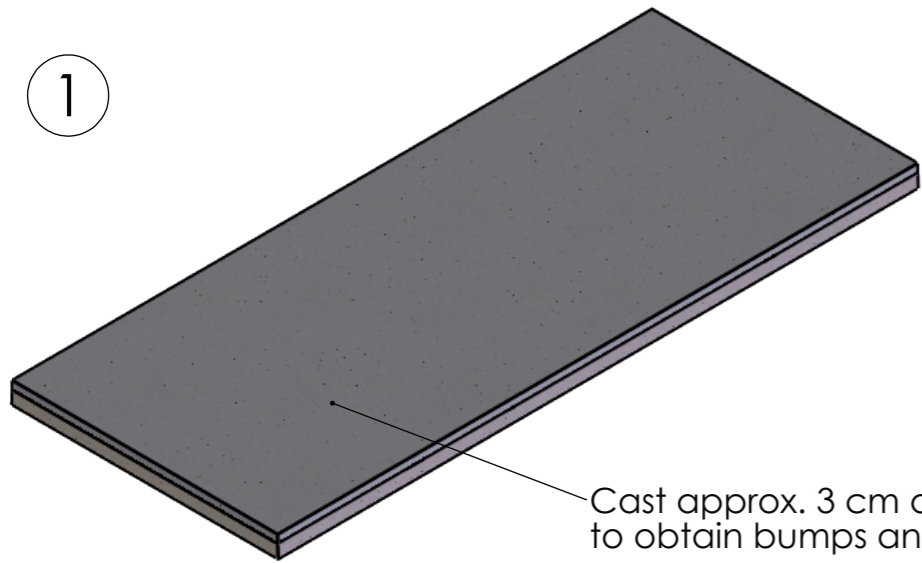
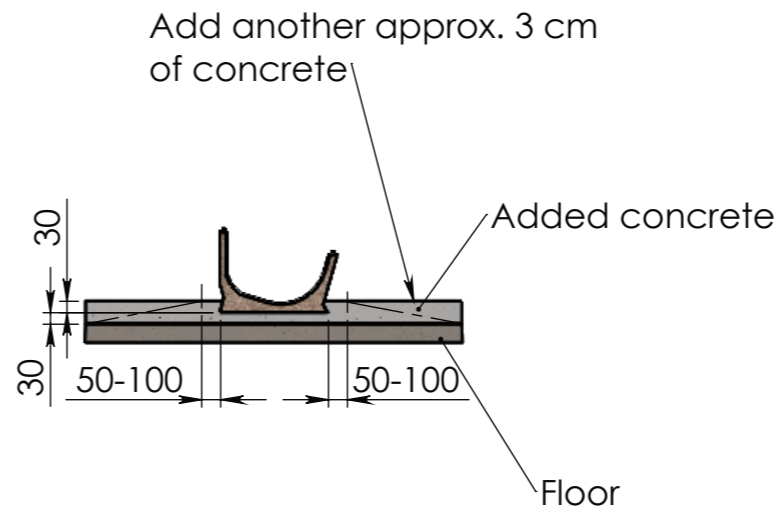


1



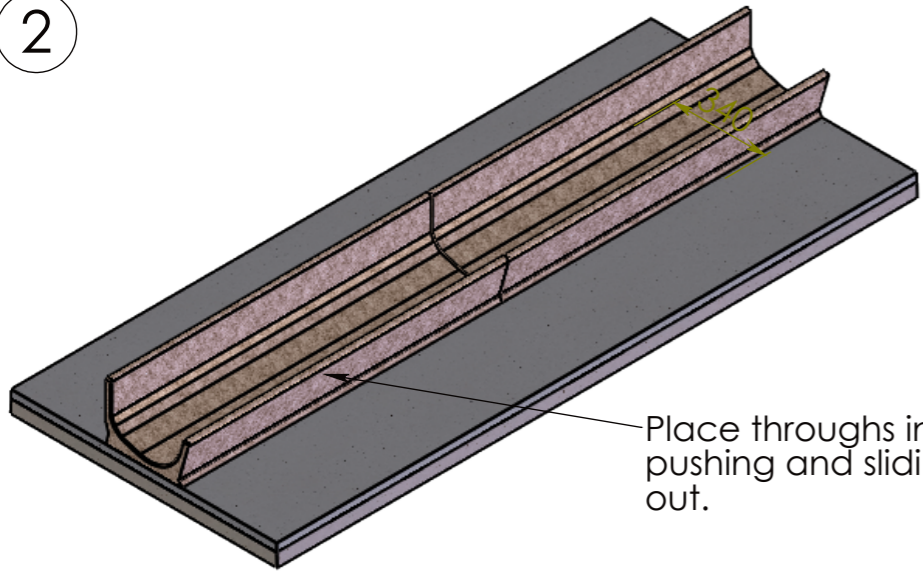
Cast approx. 3 cm of concrete to obtain bumps and inaccuracies

4



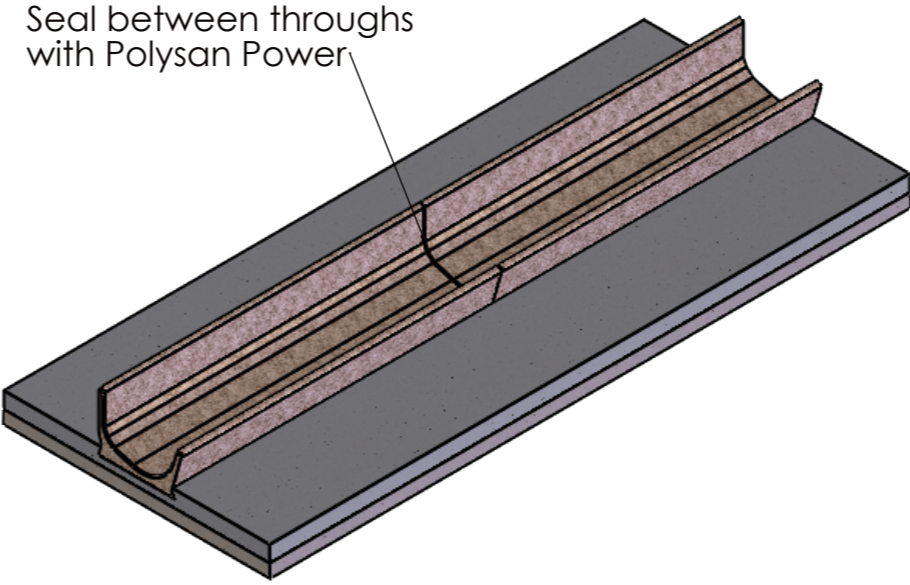
Keep the 3 cm approx. 5 to 10 cm before sloping

2



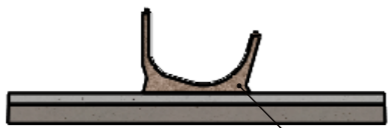
Place troughs in line pushing and sliding air out.

5



Seal between troughs with Polysan Power

3



Grind each end of the troughs with a stone or sand paper, for better sealing with Polysan Power, before placing the next through

### Design

Material: - Amount.:  
Surfacetreatment:  
All sharp edges are to be broken

Drawing No. - Revision: <b>V4-Mounting</b>	Order No.: Production Weight: <b>426.07 kg</b>
Description: <b>Mounting of V4 Trough</b>	
	Author: <b>HK</b> d. 23. august 2018 <small>This drawing is the property of POLYSAN A/S and may not be lent or copied in whole or in part without written permission.</small>

Scale: **1:20**

Sheet: **A3**  
Page 1 of 1

Industrivej 17 DK-5672 Broby TLF: +45 62 66 12 21 FAX: +45 62 66 15 21

REVISIONER			
REV.	Dato	Navn	Note