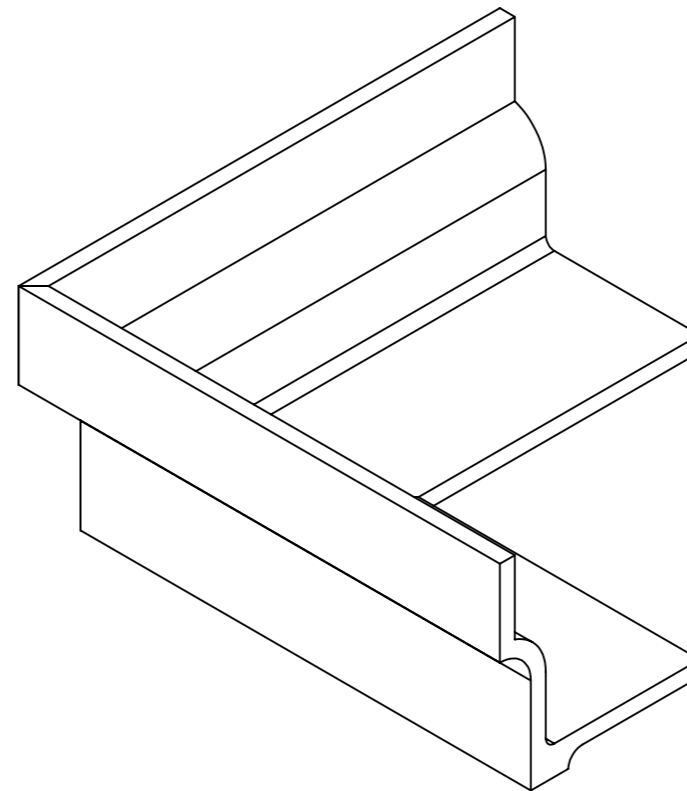
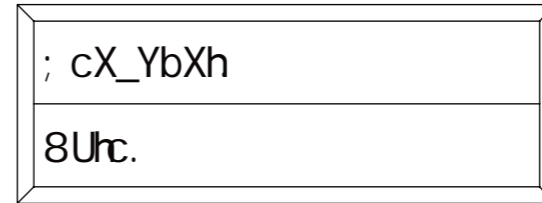
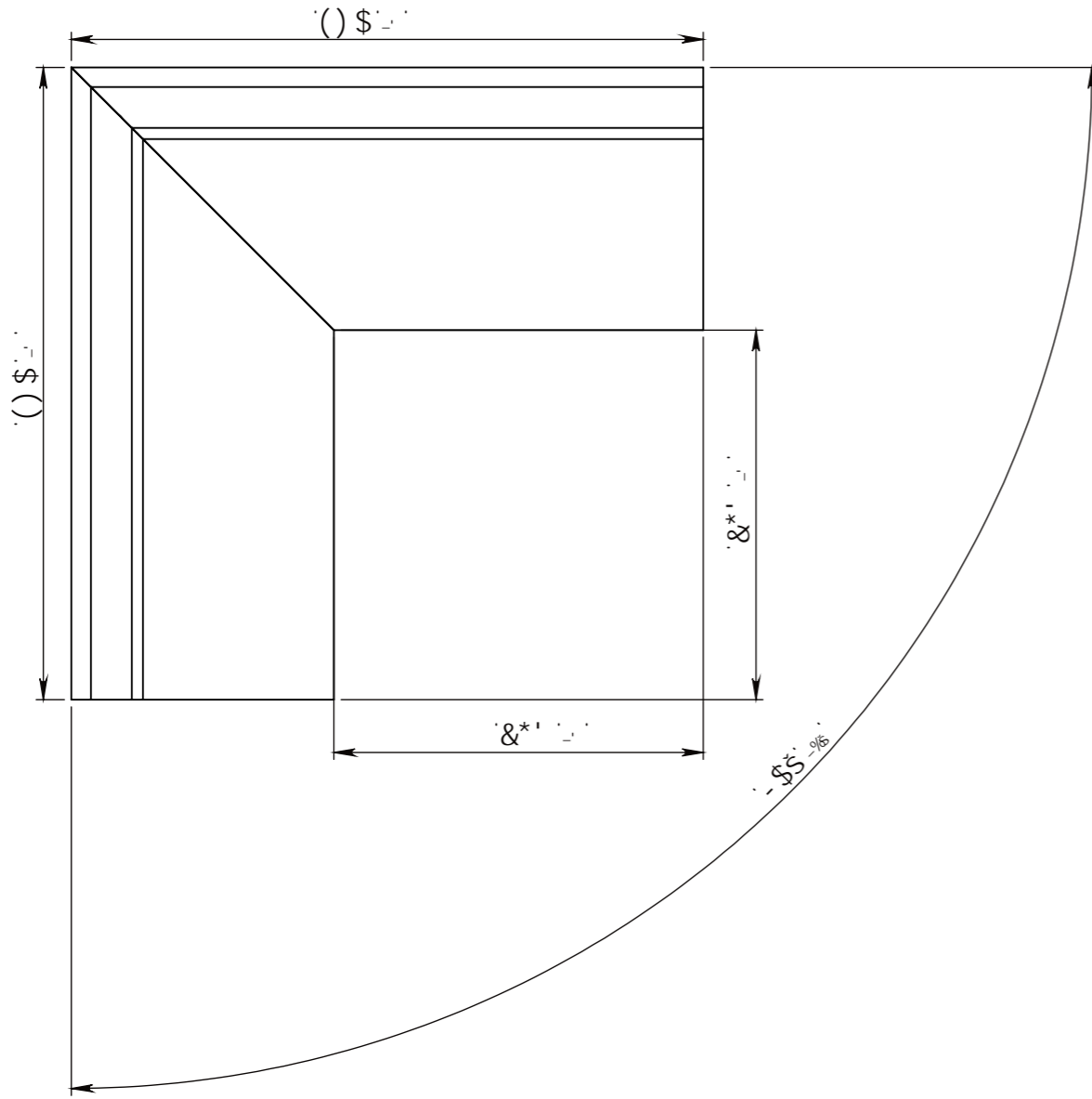


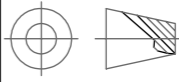

C 6G HY [ b]b [ Yb [ cX\_YbXYgj YX i bXYfg\_f]Zhc [ XUhc  
 ]ZY'h'h\Yfi bXYf]bXYb'dfcXi \_h]c bggUfh  
 8YfUbyf\_YbXYgj YX i bXYfg\_f]Zhu'hY [ b]b [ Yb Yf\_c ffY\_h  
 i UbgY'h\j UX 'XYfXYf] j f] [ ha €mY j ° fY 'gU [ h#g\_fYj YH'  
 Dfc Y\_hj UfYfgca 'XYbbY'\_Ub'\_Y fYh fbYfYg#ca VmthYg'  
 8Yb i bXYfg\_fYj bY HY [ b]b [ ZU Ygh ] \* & \* \* % & % Z Y Y f g W U b b Y g  
 d'f'a U ] h' d c m g U b 4 d c m g U b " X \_



8Yg] [ b

A UHYf]UY. .  
 Cj YfZUXYVY\UbX']b[ . .  
 5''Y'g\_UfdY'\_UbHYf'VfnXYg

5bhU". i

HY [ b]b [ g Bf" #FYj ]gcb. . \$%\$ ( \$\$\$, ! \$% \$' .	CfXY Bf" . : fYa gh ]b [ " . ?ca dcbYbj ° [ h' - 2% .
6Yg_f] YgY. ; &\$!% ' i < I Xj YbX] [ h < > fbY	
 HY [ bYhUZ X" %% XYWa VYf &\$\$( ?>	7CDM = <H 89BB9H9 B-B; A t =? ? 9? CD-9F 9G 9@9F F 9DF C8I 79F 9G D1 BC; 9B A t 89 I 89B 8-F 97 H 91 H 88 58 9@ 9: F 5 DC@M 65B 5#G
G_UU. %)	
Dud]f. 5' GjXY' %UZ%	